

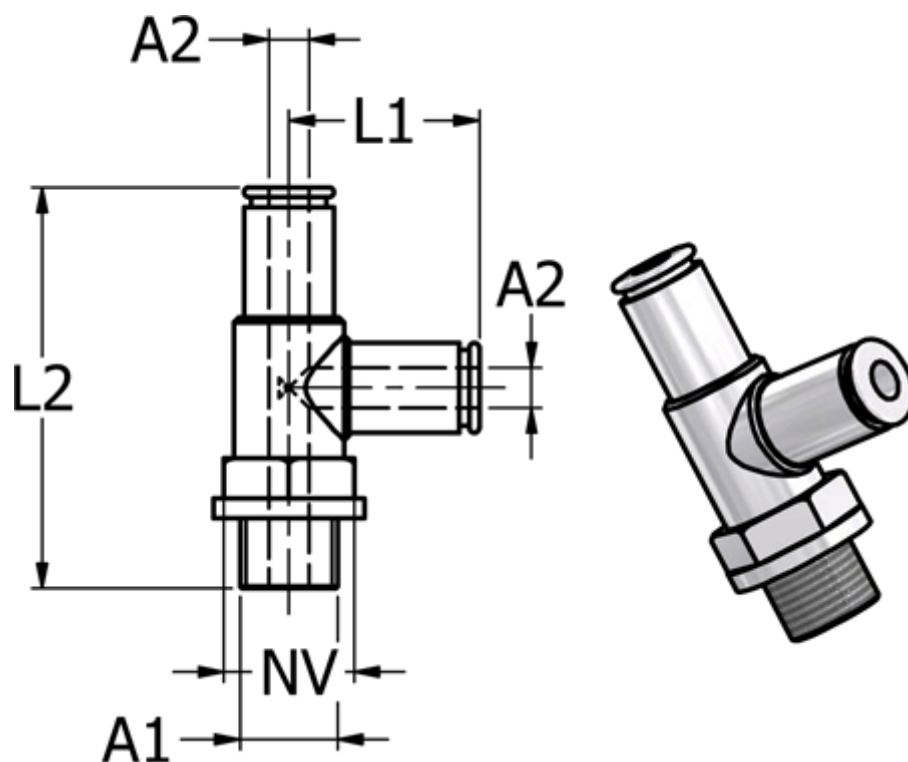
# Data Sheet



Article number: 5868620186

Description: Metal Push-in fitting 862.018-6, Ø6 / Ø6 / G 1/8"  
Tee with FPM O-ring

## Measures



Ext. hose diameter A2	= 6
L1	= 21
L2	= 41
NV	= 13
Thread A1	= G 1/8"